

---

## GRIP HEATER

Accessory Name	Parts Number	Application Model	Issue Date	Publication No.	FRT
GRIP HEATER	08T71-K3S-JA0	CL500A	2022.12	MII	0.9 H
GRIP HEATER ATTACHMENT	08T70-K3S-JA0				

### Introduction

ALL INFORMATION, ILLUSTRATIONS, DIRECTIONS AND SPECIFICATIONS INCLUDED IN THIS PUBLICATION ARE BASED ON THE LATEST PRODUCT INFORMATION AVAILABLE AT THE TIME OF APPROVAL FOR PRINTING. Honda Motor Co., Ltd. RESERVES THE RIGHT TO MAKE CHANGES AT ANY TIME WITHOUT NOTICE AND WITHOUT INCURRING ANY OBLIGATION WHATSOEVER. NO PART OF THIS PUBLICATION MAY BE REPRODUCED WITHOUT WRITTEN PERMISSION. THIS MANUAL IS WRITTEN FOR PERSONS WHO HAVE ACQUIRED BASIC KNOWLEDGE OF MAINTENANCE ON Honda MOTORCYCLES, MOTOR SCOOTERS OR ATVS.

Honda Dealer:

Please give a copy of these instructions to your customer.







Customer:

Because it requires specialized knowledge and special tools and equipment, it is recommended to install it at a dealer with qualified automobile maintenance.

---

### How To Read These Symbols

Your safety, and the safety of others, is very important. To help you make informed decisions we have provided safety messages and other information throughout this manual.

-  **WARNING** You CAN be KILLED or SERIOUSLY HURT if you don't follow instructions.
-  **CAUTION** You CAN be HURT if you don't follow instructions.
-  **NOTICE** The purpose of this message is to help prevent damage to your vehicle, other property, or the environment.
-  **NOTE** Things you want to know, things that are useful to know.
-  Follow the instructions of the Service Manual.
-  Follow the other symbol instructions of the "Installation Instructions BASIC".

### Instruction Other Symbols

The symbols used throughout this instructions show specific service procedures. Refer to "Installation Instructions BASIC" for description of each symbol.

---

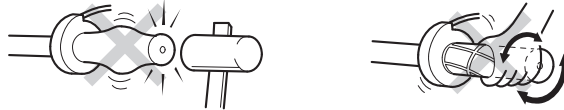
## INFORMATION

### ⚠ CAUTION

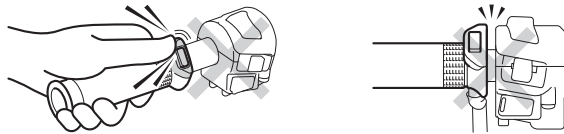
- To prevent burns, allow the engine, exhaust system, radiator, etc., to cool before installing the accessory.
- Be sure to observe all safety messages and precautions described in the Service Manual while removing and installing the fuel tank.

### NOTICE

- **Do not tap on the grip end with a hammer and do not twist the grip to install the grip heater onto the handlebar, as it can damage the element.**



- **Avoid putting pressure on the switch part when inserting the left grip heater. There is a possibility that the switch part will break. Also, install so that there is no gap with the switch holder.**



- **If the grip gets stuck halfway during installation, apply isopropyl alcohol to the gap between the grip heater. Do not try to remove the grip heater using force or a screwdriver, etc. Damage to the grip heater wire can result.**
- **Do not touch the left handlebar and turn on the heater switch at least one hour after attachment.**

### NOTE:

- Refer to this manual and the Accessory socket Installation Instructions when the motorcycle is equipped with the Accessory socket.
- Disconnect the throttle cable from the right grip as instructed in the motorcycle's Service Manual.
- For secure adhesion of the grip heaters use the recommended adhesive agent (Honda Bond A) or equivalent.
- Be sure to open and close the throttle to check for smooth operation after installation of the right grip heater.
- Reinstall the removed parts on the motorcycle and make sure that the wires and harnesses are not pinched.
- Disconnect the negative (-) cable from the battery before installing this accessory.
- The memories of the clock will be erased when you disconnect the battery. Reset the memories after reconnecting the battery.
- Cut the wire tie and clip band at 5 mm from the lock part after attaching them to the wire harnesses. Do not allow the cut part of the wire tie and clip band to interfere with another harness or brake hose.
- After handle grip heater installation, check the lights (e.g. right / left turn signal lights and brake lights) for proper operation.

## PARTS LIST

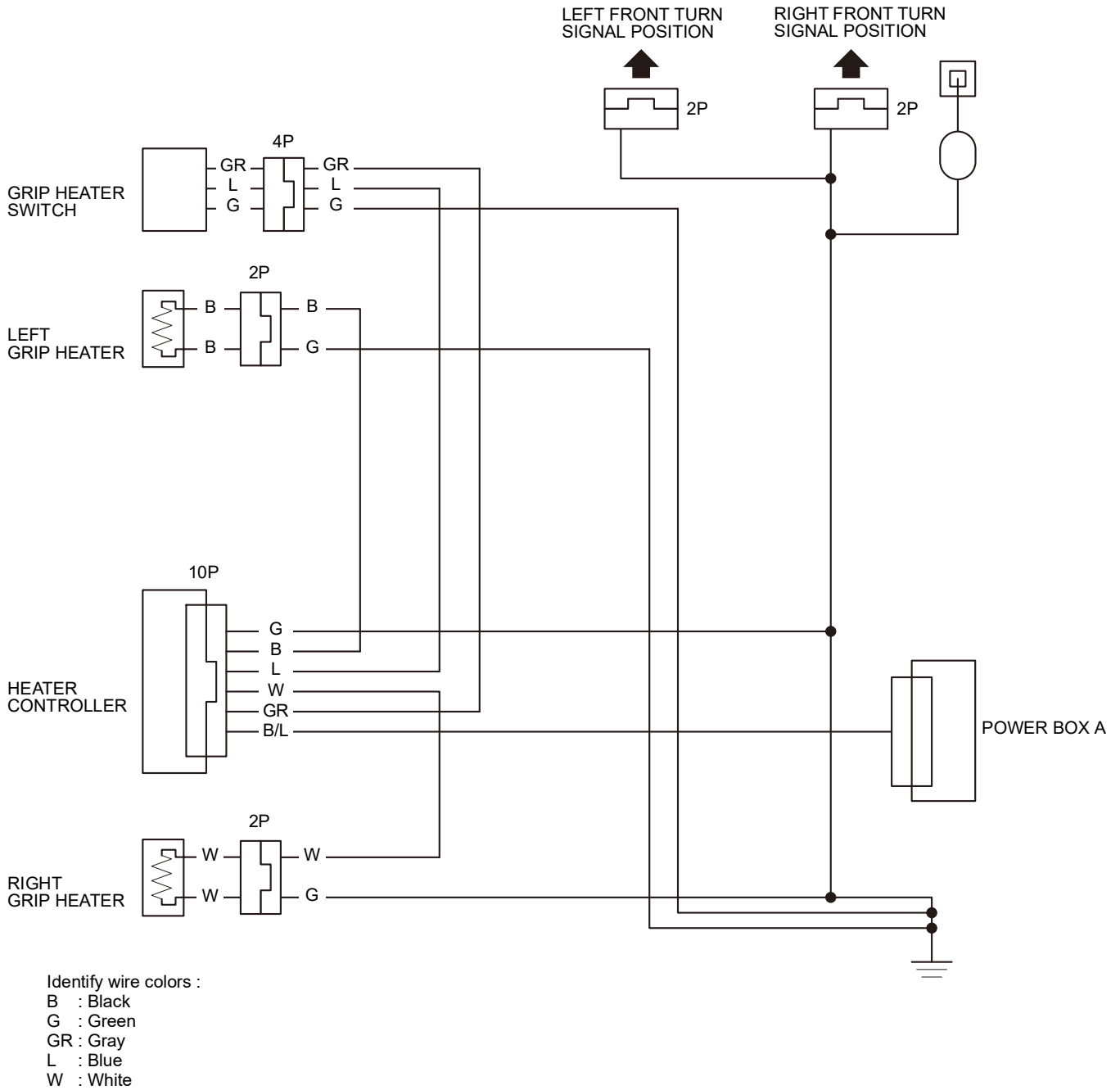
When the instruction manual and installation instructions are included in this kit, be sure to give them to the customer.

Component	No.	Parts Name	Qty	Parts No.
	(1)	Right grip heater	1	08T00-K3S-JA1
	(2)	Left grip heater	1	08T00-MGH-326

### <GRIP HEATER ATTACHMENT>

Component	No.	Parts Name	Qty	Parts No.
	(3)	Heater controller	1	35530-MJP-G53
	(4)	Clamp	1	35135-MJM-D60
	(5)	Clip band	1	91540-S7S-003
	(6)	Double-sided adhesive tape	1	-
	(7)	Wire tie (short)	12	35701-MG9-950
	(8)	Washer	1	-
	(9)	6 mm socket bolt	2	-
	(10)	Grip end	2	-
	(11)	6 mm screw	2	90122-MKN-D50
	(12)	Wire tie (long)	1	-

# SYSTEM DIAGRAM



## TORQUE INFORMATION

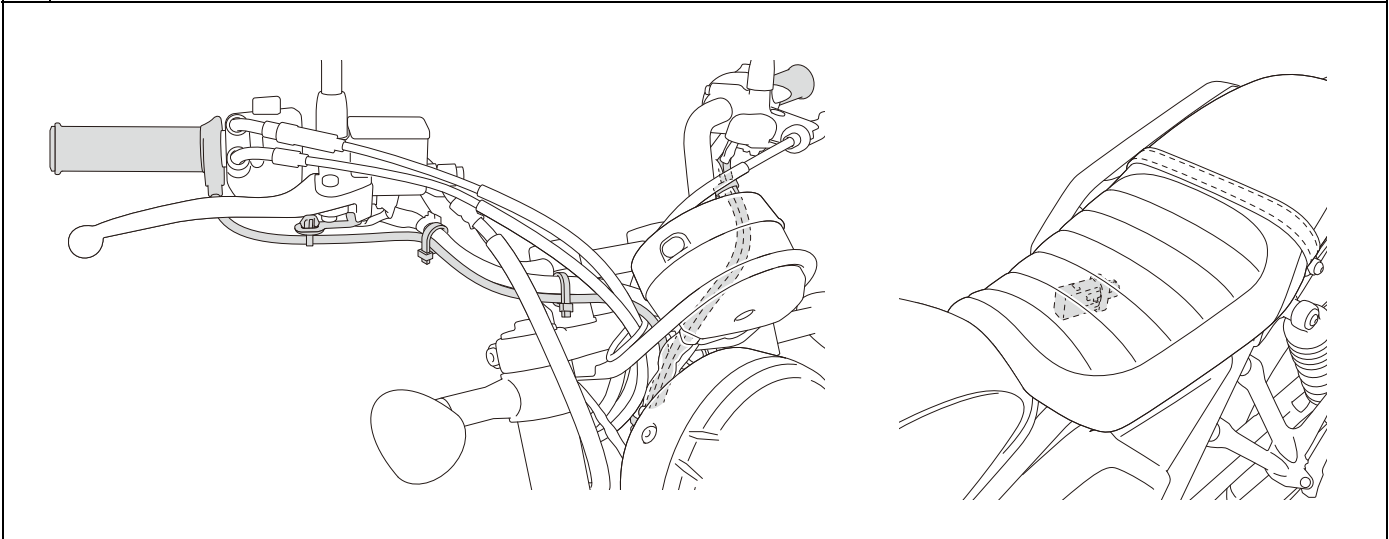
Refer to the Service Manual for the torque values including standard torque of the removed parts. (M)

## Please Convey The Following Information To The Customer Before Delivery.

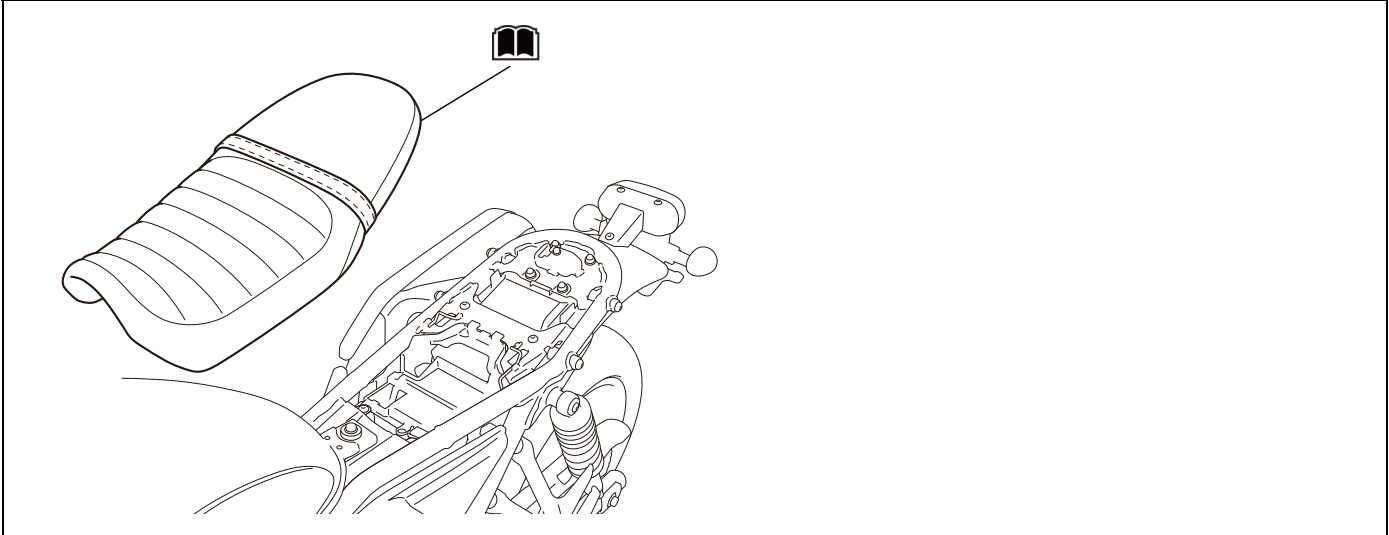
Please set the heater level at less than 2 one week after attachment.

# INSTALLATION

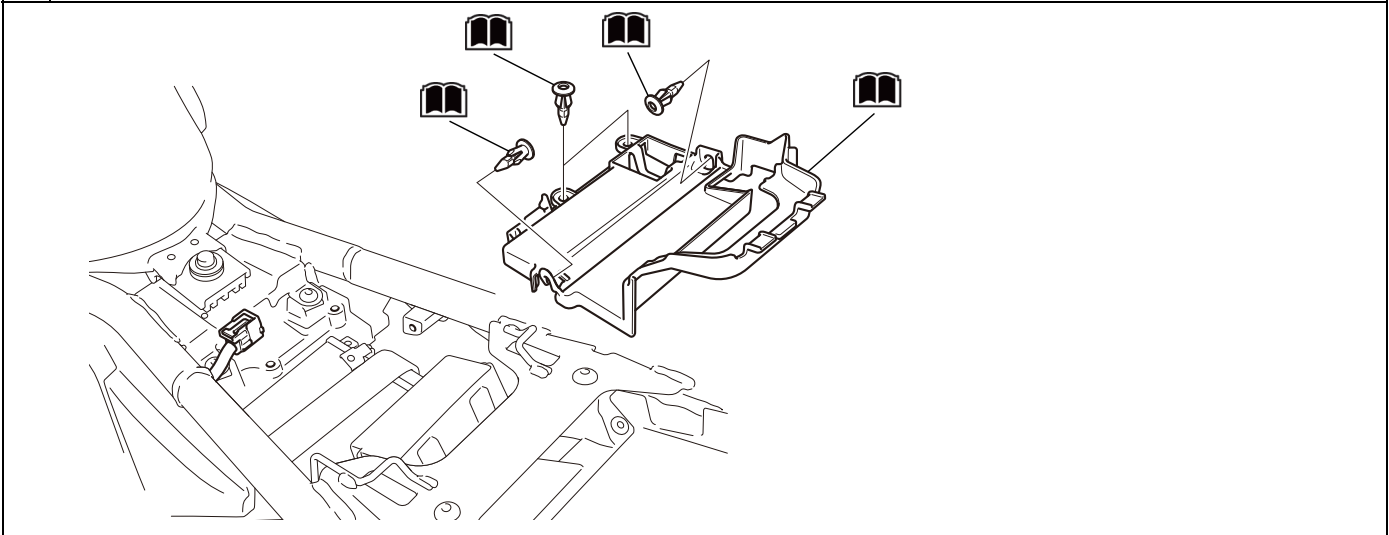
INSTALLATION IMAGE



1. Remove the parts as shown, and disconnect the negative (-) cable of the battery. (M)

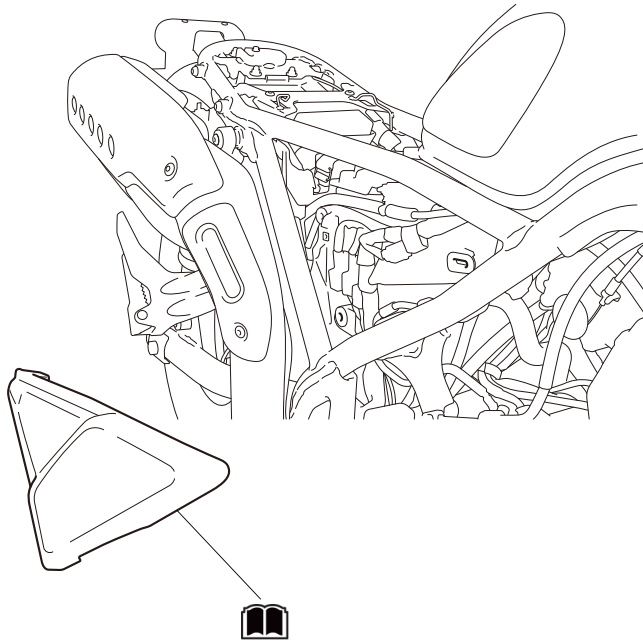


2. Remove the parts as shown. (M)

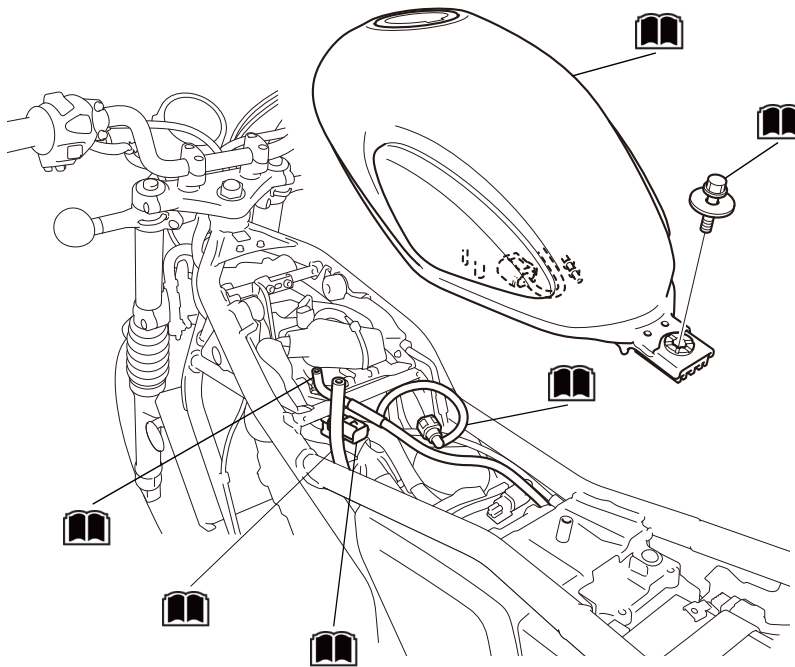


3. Remove the parts as shown. (📖)

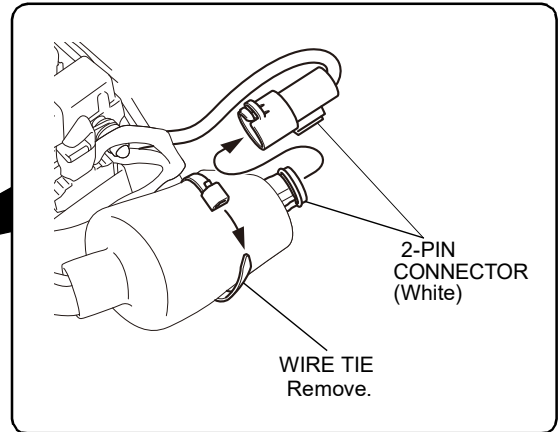
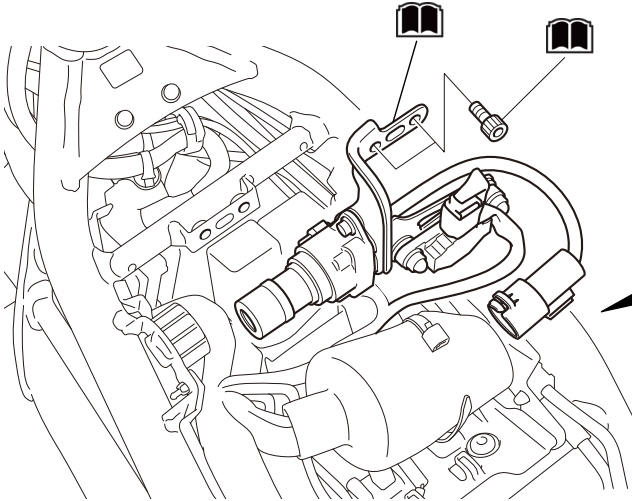
<Right side>



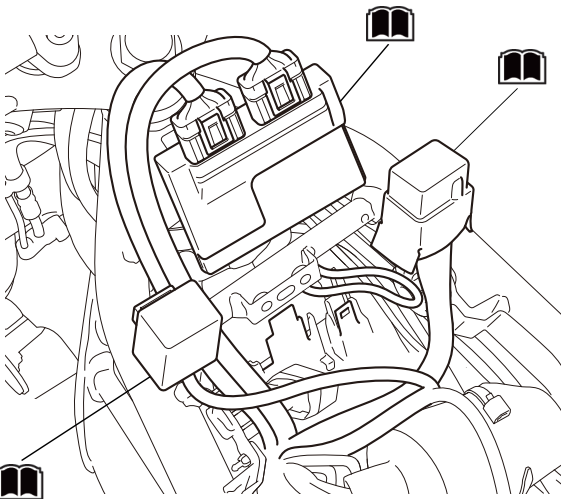
4. Remove the parts as shown. (📖)



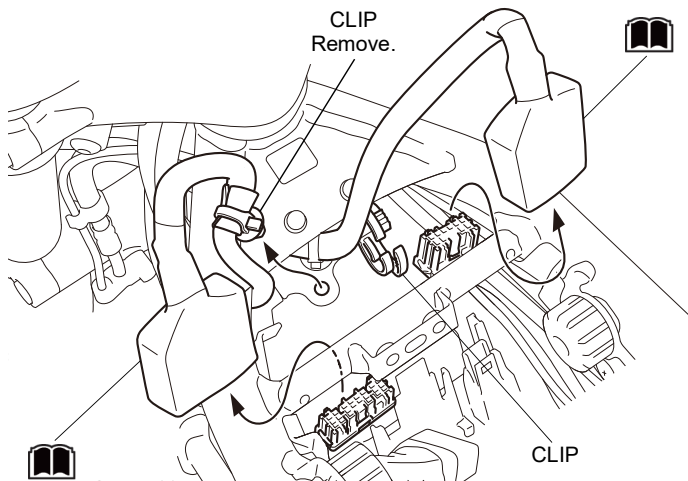
5. Remove the parts as shown. (📖)



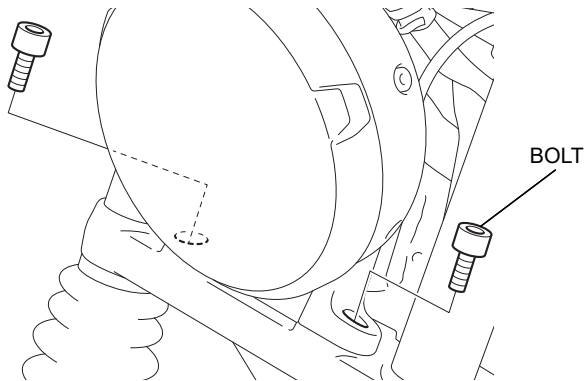
6. Remove the parts as shown. (📖)



7. Remove the parts as shown. (📖)

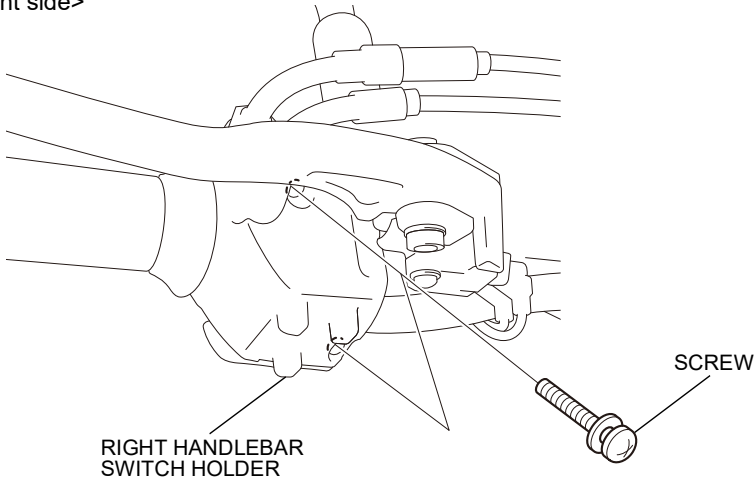


8. Remove the parts as shown.

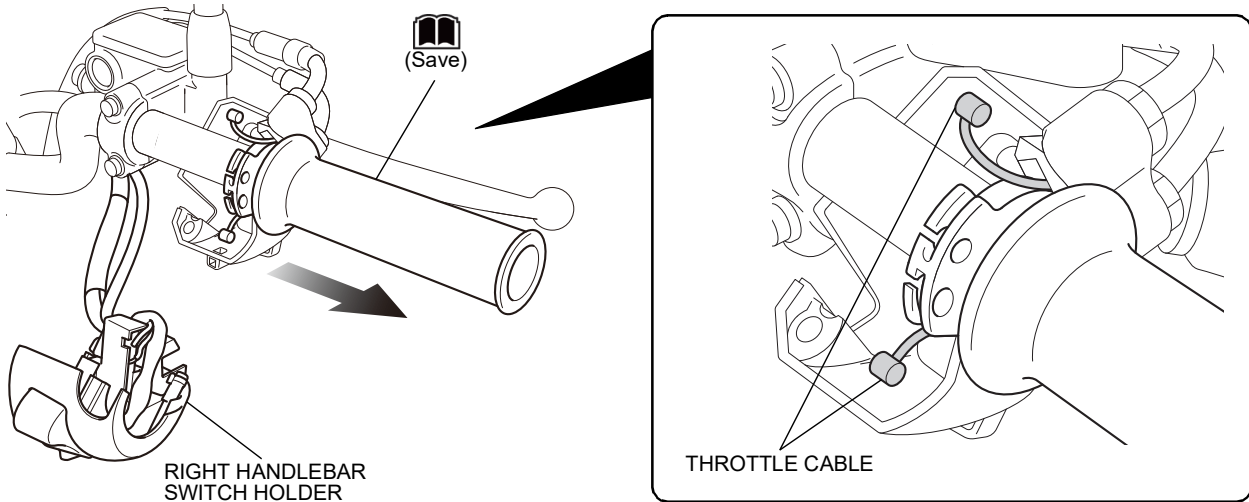


9. Remove the parts as shown.

<Right side>

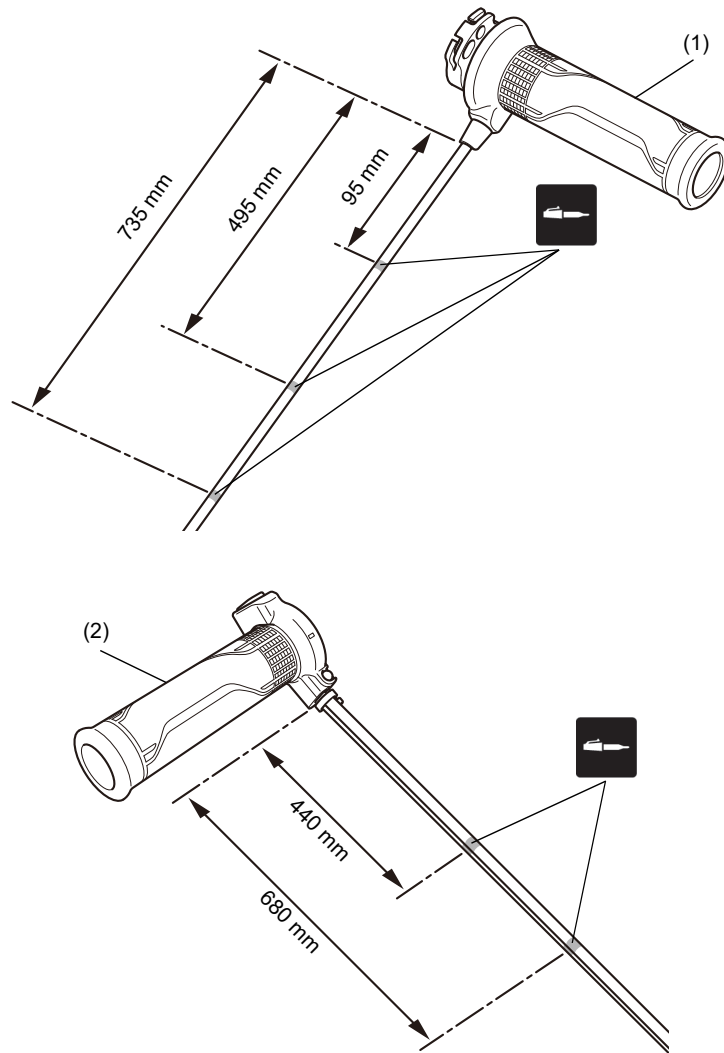


10. Remove the parts as shown. (📖)

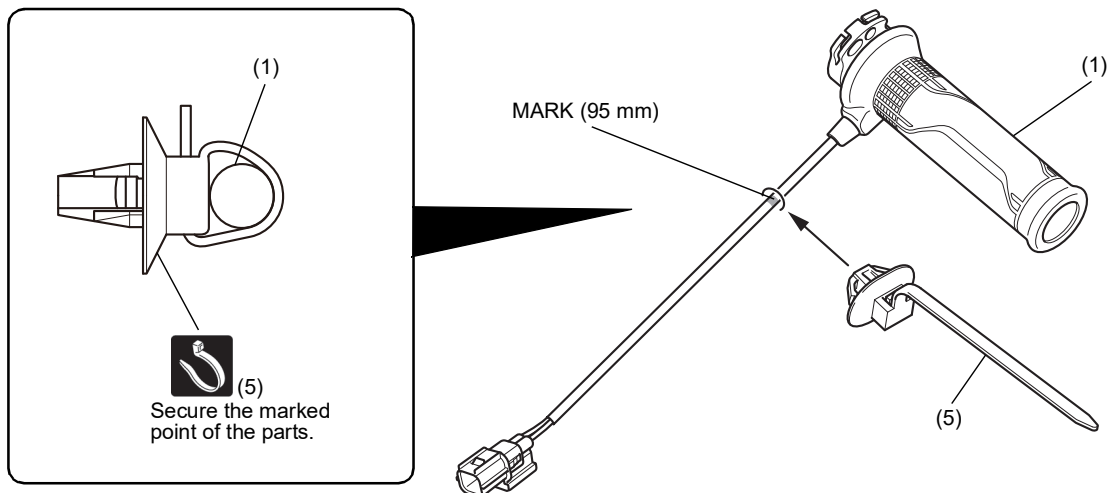




11. Mark the parts in the position shown.

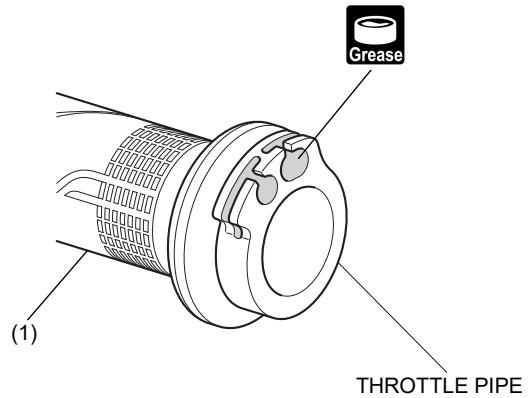
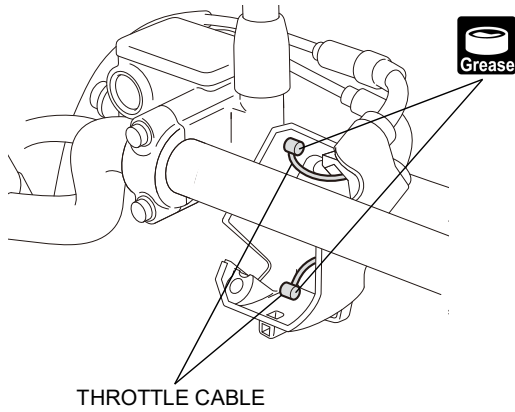


12. Install the parts as shown.



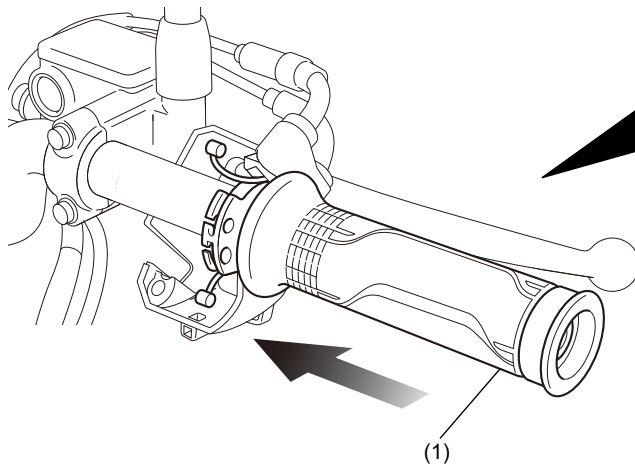
13. Apply grease to the parts as shown.

<Right side>

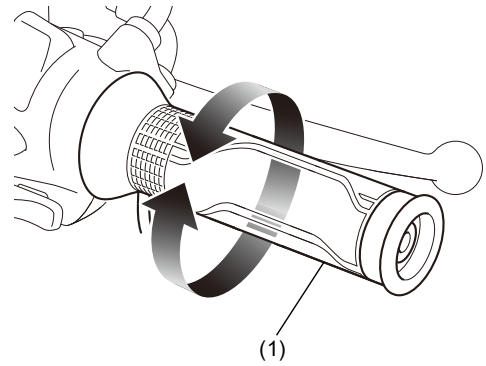


14. Install the parts and right handlebar switch holder in the reverse order of removal. (🔧)

- After installation, refer to the Service Manual and adjust the throttle freeplay.
- Check for smooth opening of the throttle and that it automatically snaps closed from any opening, in all steering positions.

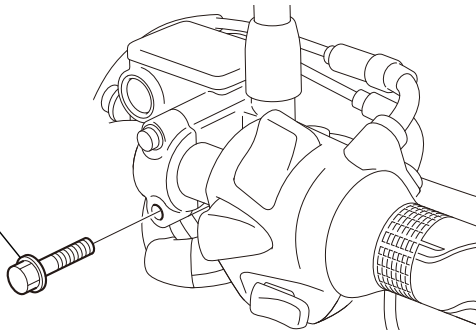


Twist the throttle grip as shown.



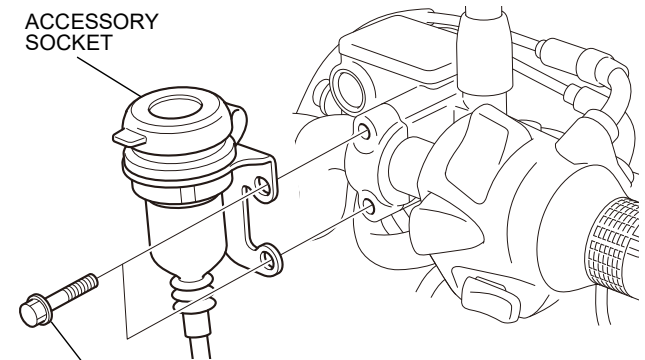
15. Remove the parts as shown.

BOLT  
(Save)



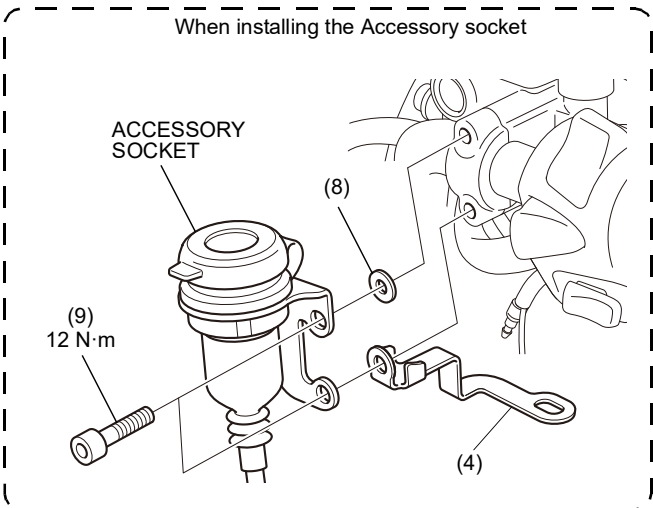
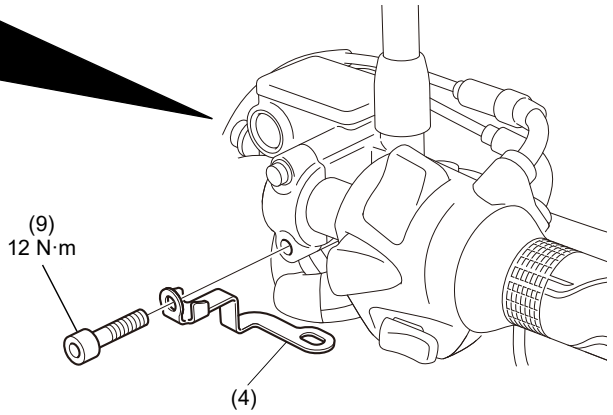
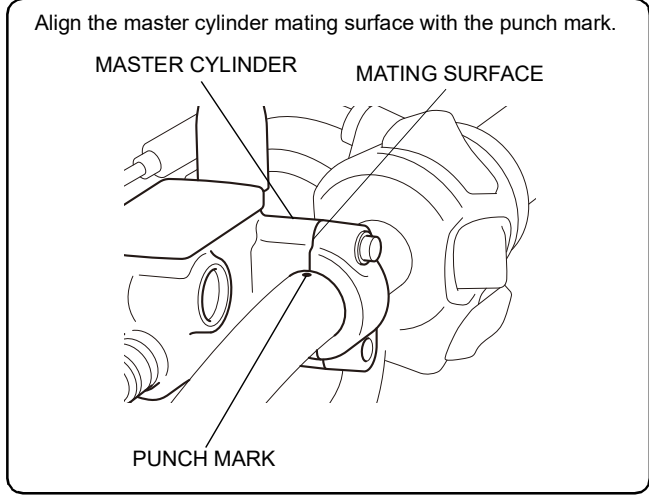
Motorcycle equipped with Accessory socket

ACCESSORY  
SOCKET



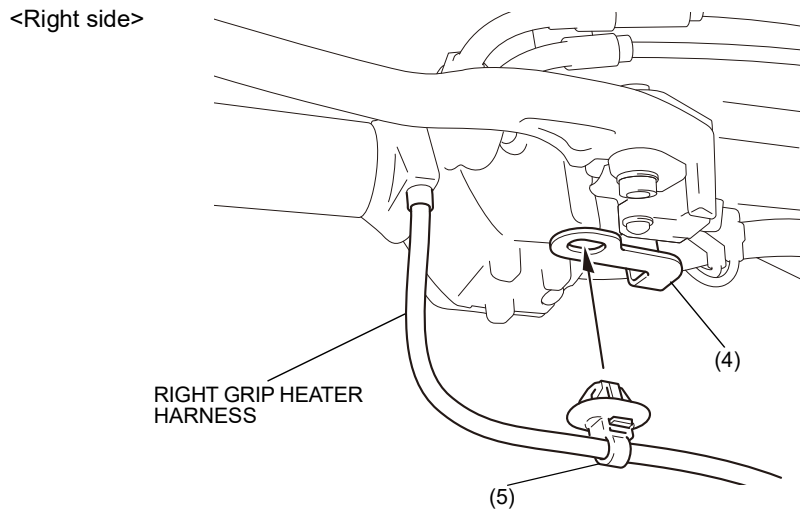
6 mm SH FLANGE  
BOLT (Save)

16. Install the parts as shown.



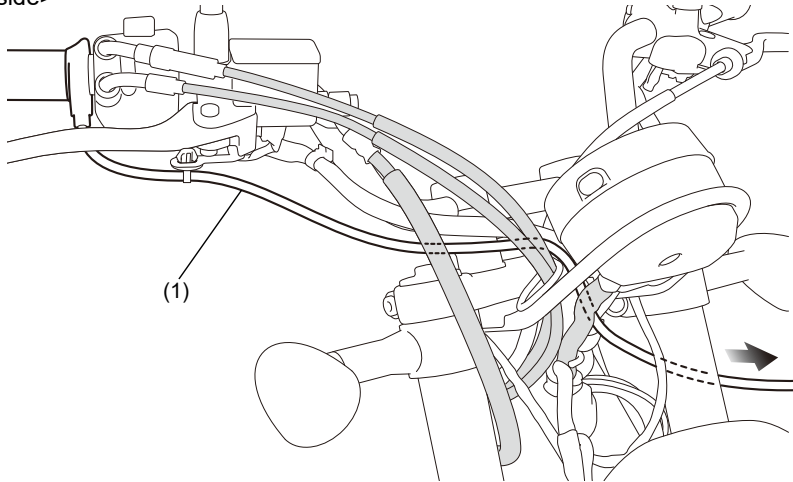
17. Secure the parts as shown.

- Open and close the throttle and confirm that there is no tightness of the grip heater harness.



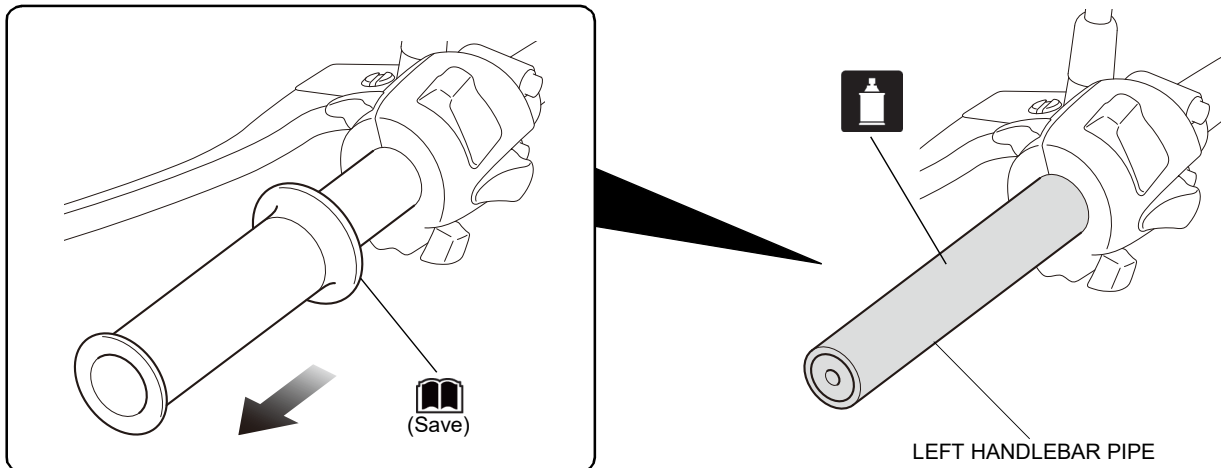
18. Route the parts as shown.

<Right side>



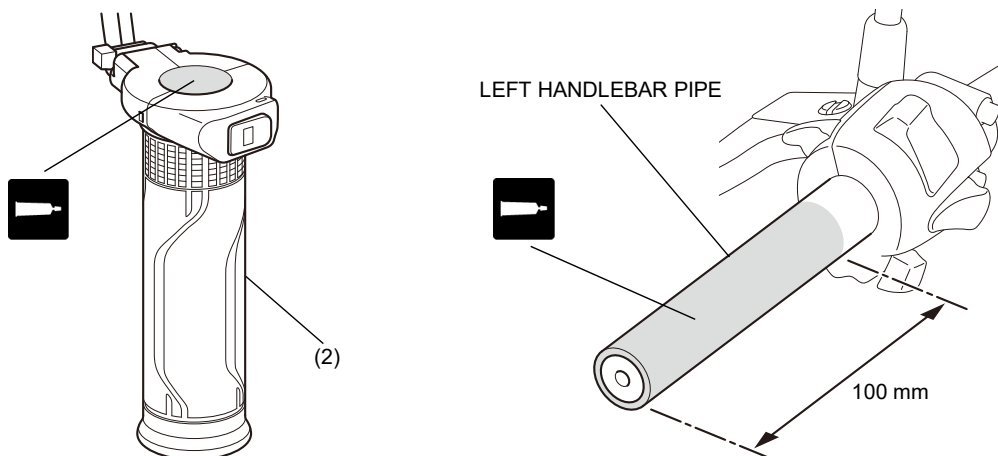
19. Remove the parts as shown, and using an isopropyl alcohol, remove all traces of adhesive from the left handlebar pipe. (📖)

<Left side>

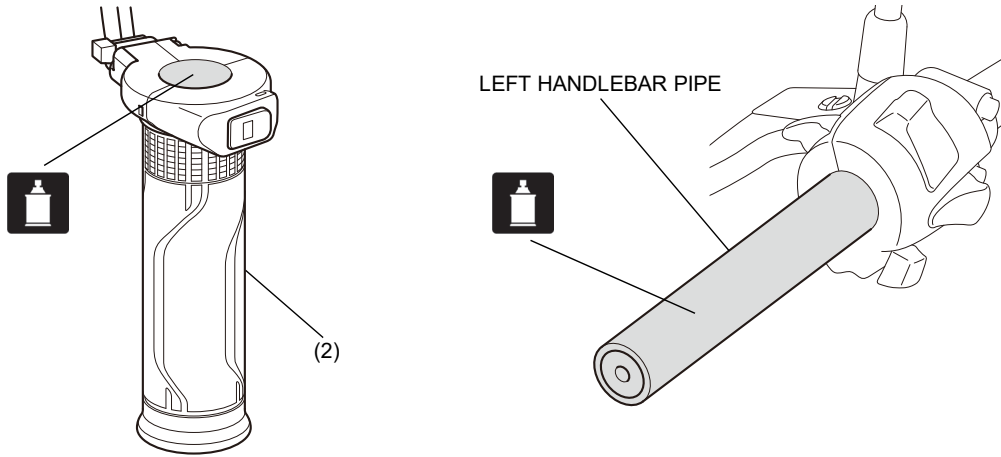


Apply the Honda Bond A to the parts as shown.

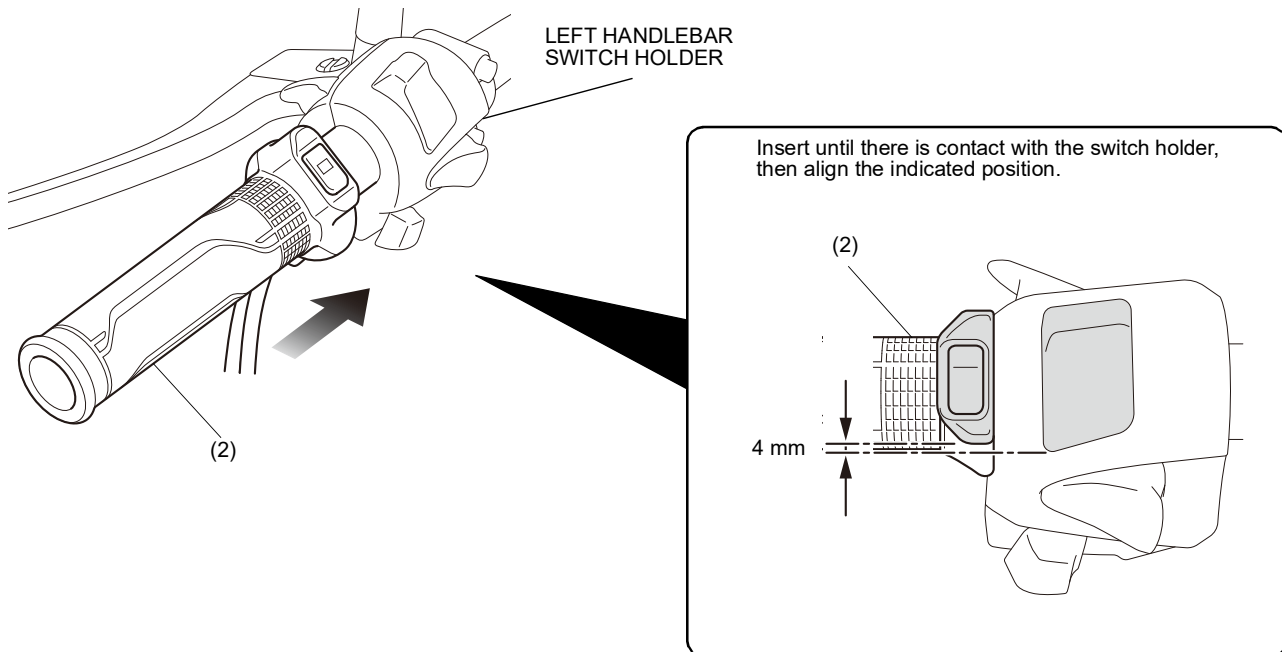
20. • Read the Instructions of the steps 20 through 22 carefully before operation and complete the installation quickly before the adhesive agent cures. Use an assistant to steady the motorcycle while installing the grips.



21. Spray isopropyl alcohol over the parts.
- This is done to ease alignment between the parts.

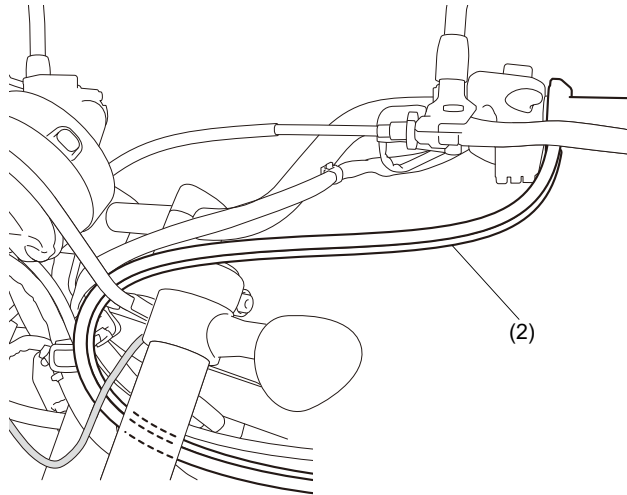


22. Install the parts as shown.
- Use an assistant to steady the motorcycle while installing the grips.
  - Wipe up excess adhesive at once.
  - Do not tap on the grip end with a hammer and do not twist the grip to install the grip heater onto the handlebar, as it can damage the element.
  - Avoid putting pressure on the switch part when inserting the left grip heater. There is a possibility that the switch part will break. Also, install so that there is no gap with the switch holder.
  - If the grip gets stuck halfway during installation, apply isopropyl alcohol to the gap between the grip heater. Do not try to remove the grip heater using force or a screwdriver, etc. Damage to the grip heater wire can result.
  - Do not touch the left handlebar and turn on the heater switch at least one hour after attachment.

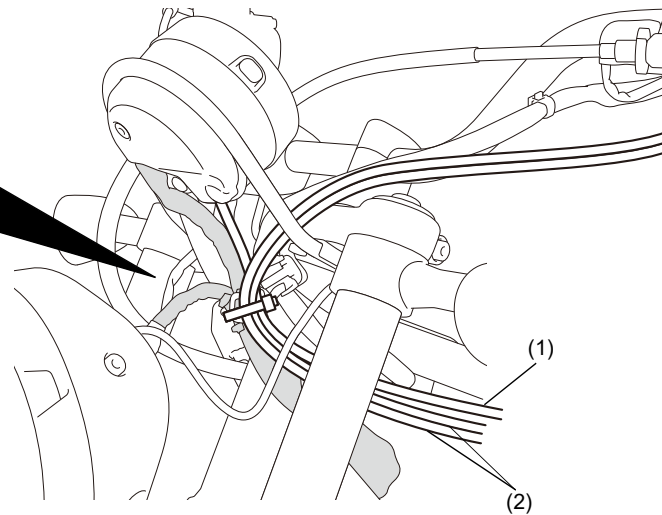
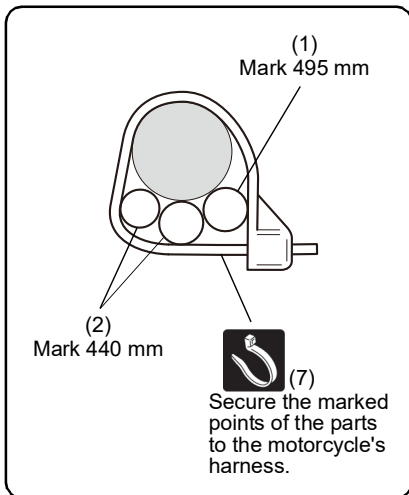


23. Route the parts as shown.

<Left side>

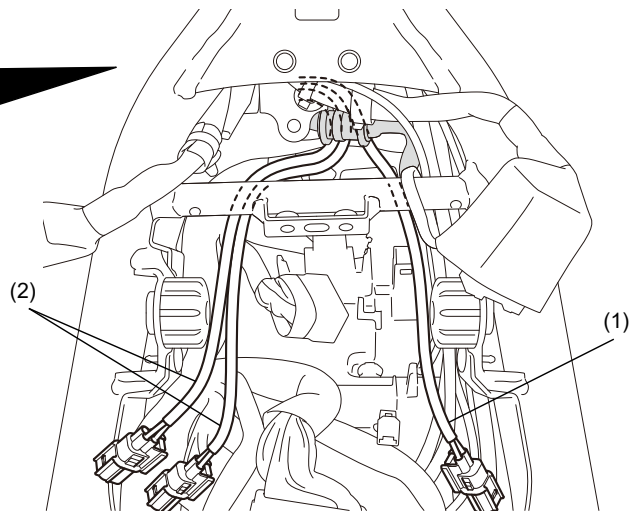
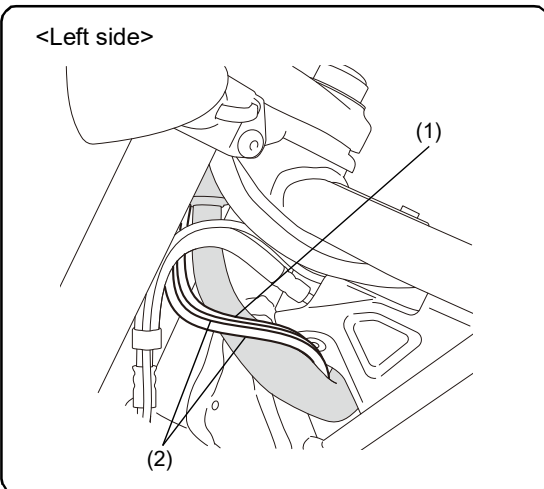


24. Secure the parts as shown.

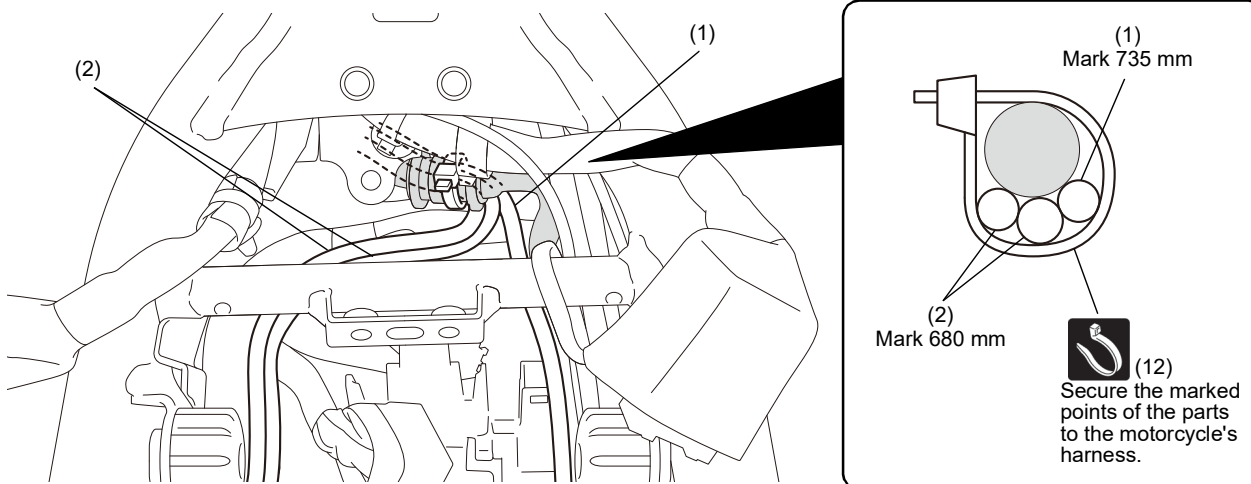


25. Route the parts as shown.

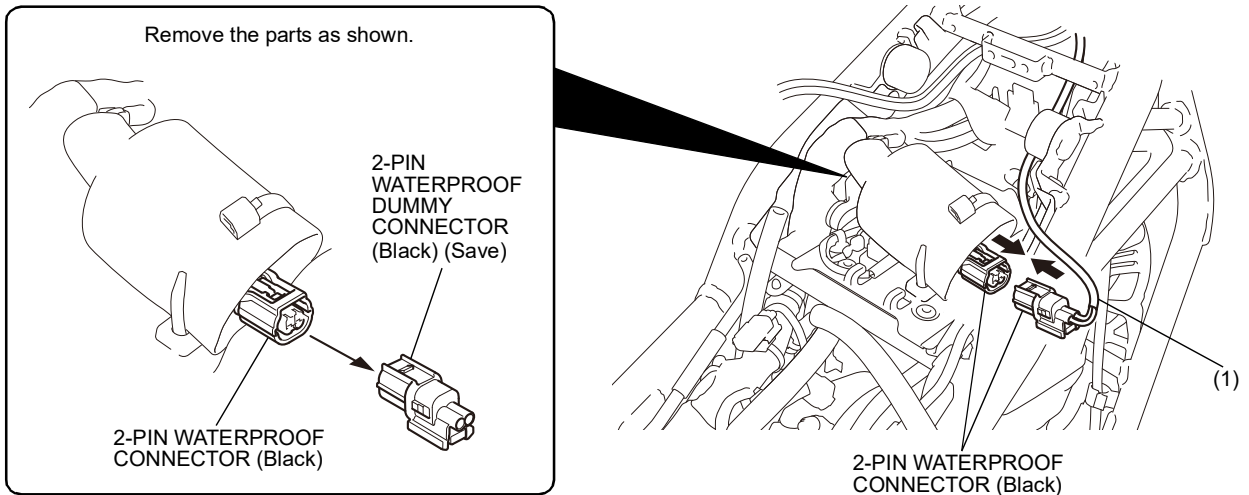
<Left side>



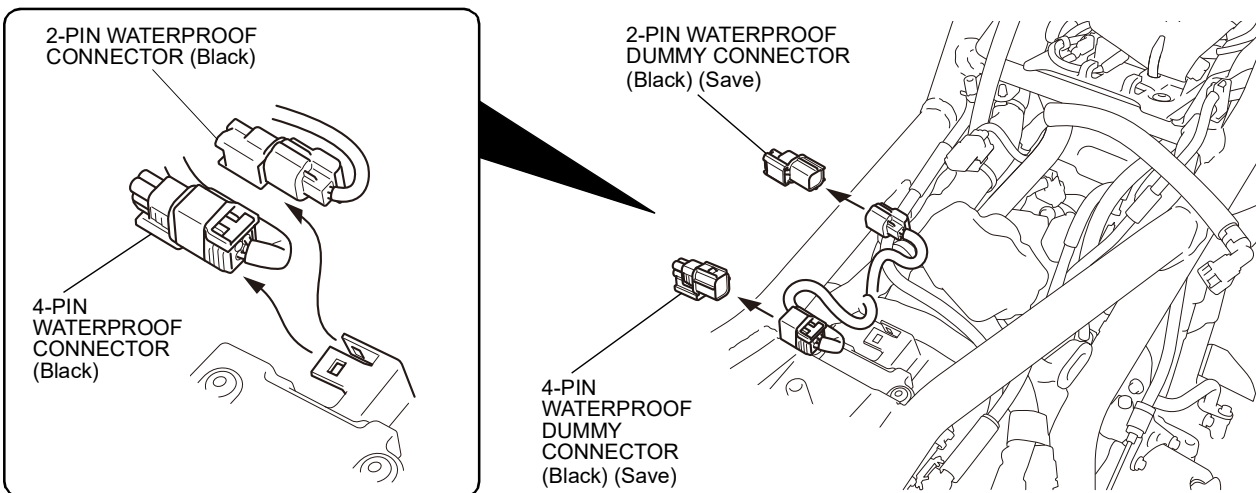
26. Secure the parts as shown.



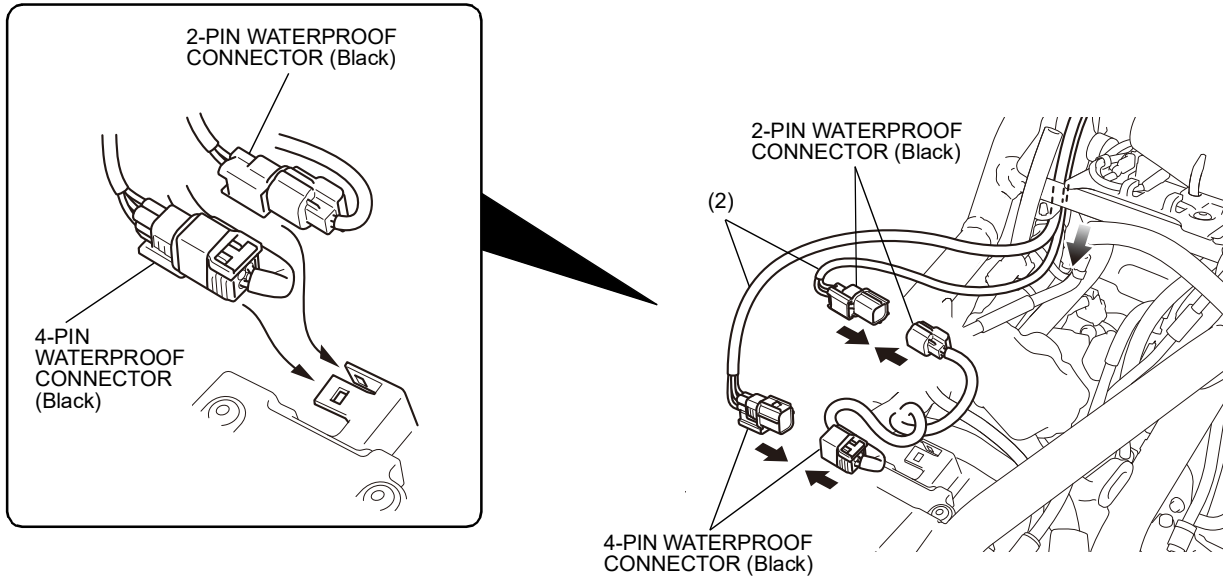
27. Connect the parts as shown.



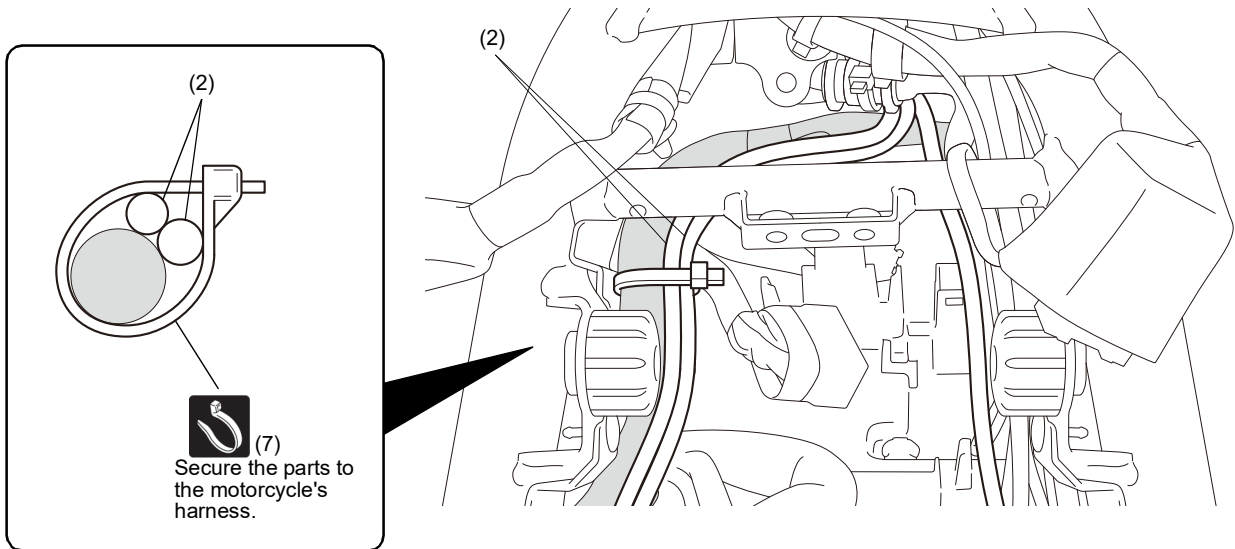
28. Remove the parts as shown.



29. Route and connect the parts as shown.

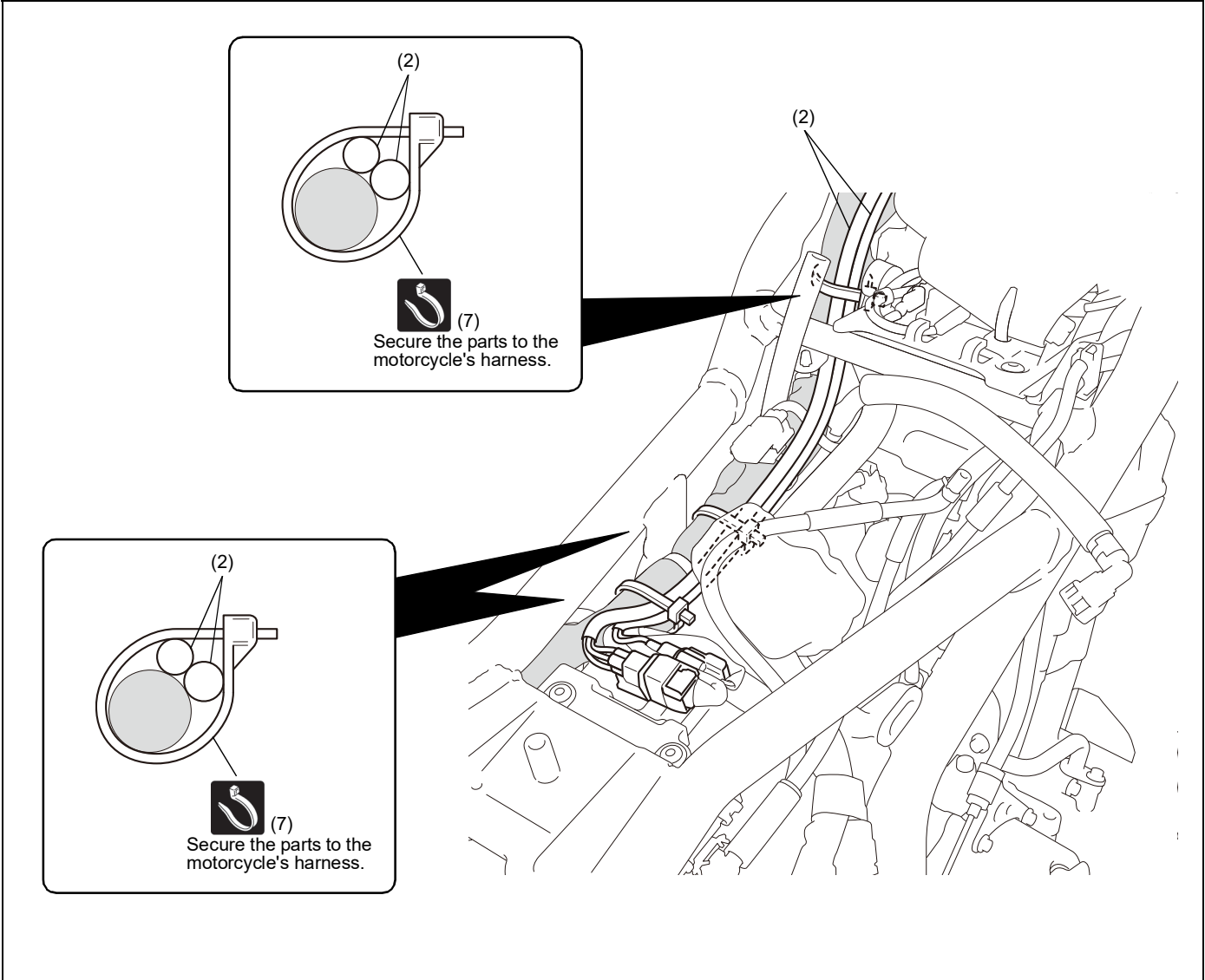


30. Secure the parts as shown.

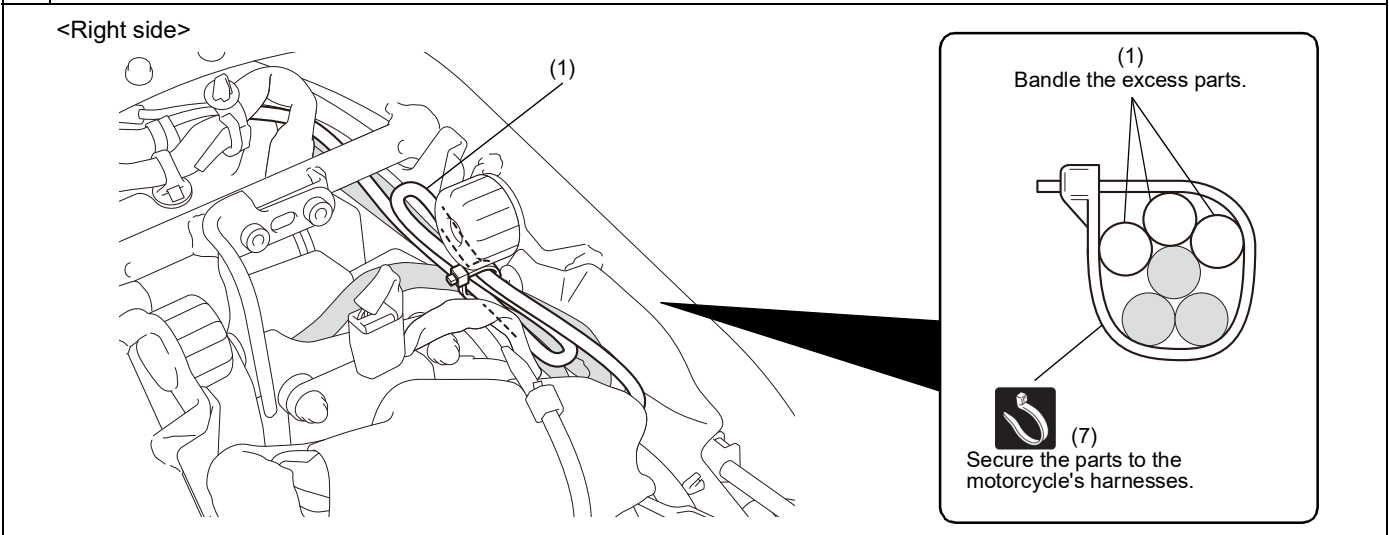




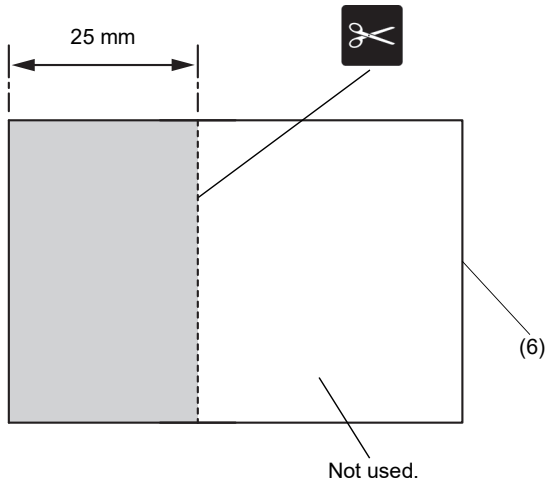
31. Route and secure the parts as shown.



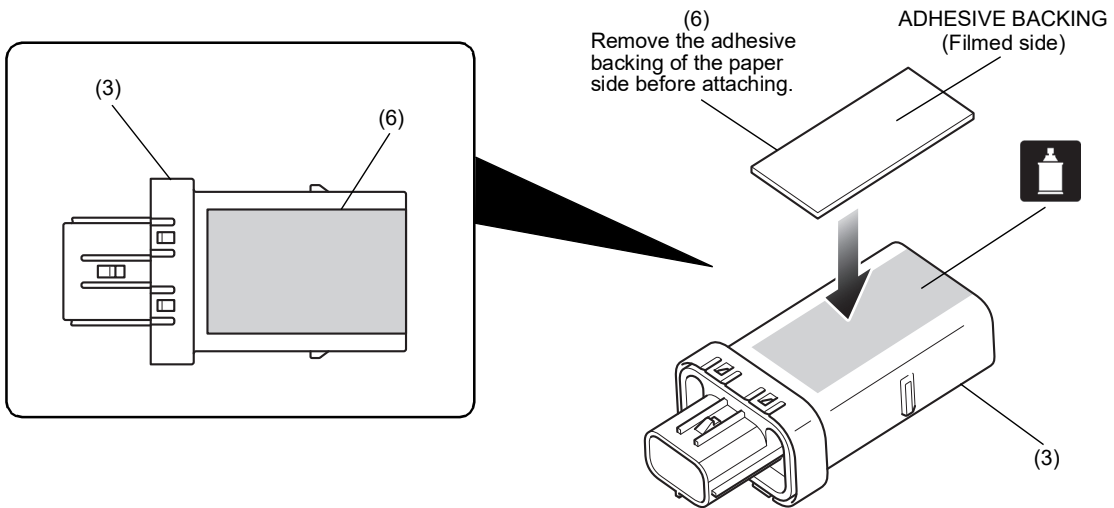
32. Install the removed parts in step 5 to 8 and secure the parts as shown.



33. Cut the parts as shown.

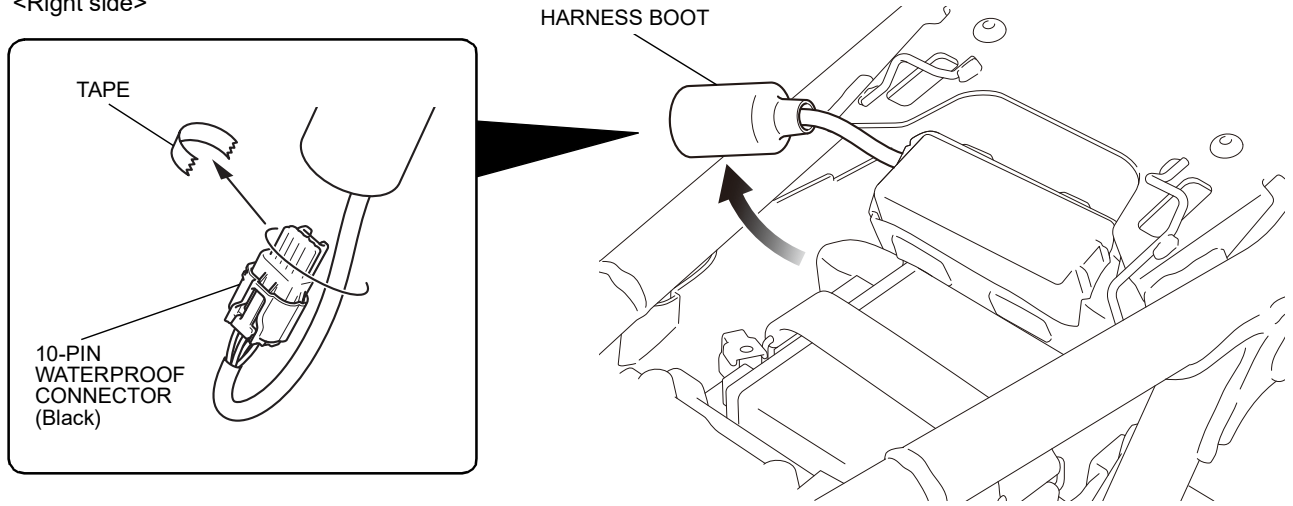


34. Attach the parts as shown.

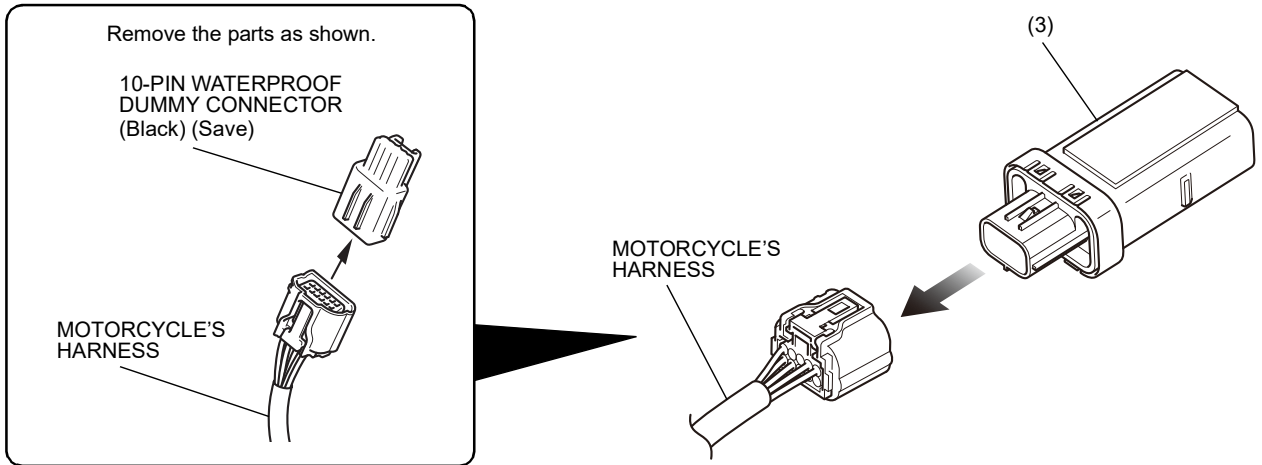


35. Remove the parts as shown.

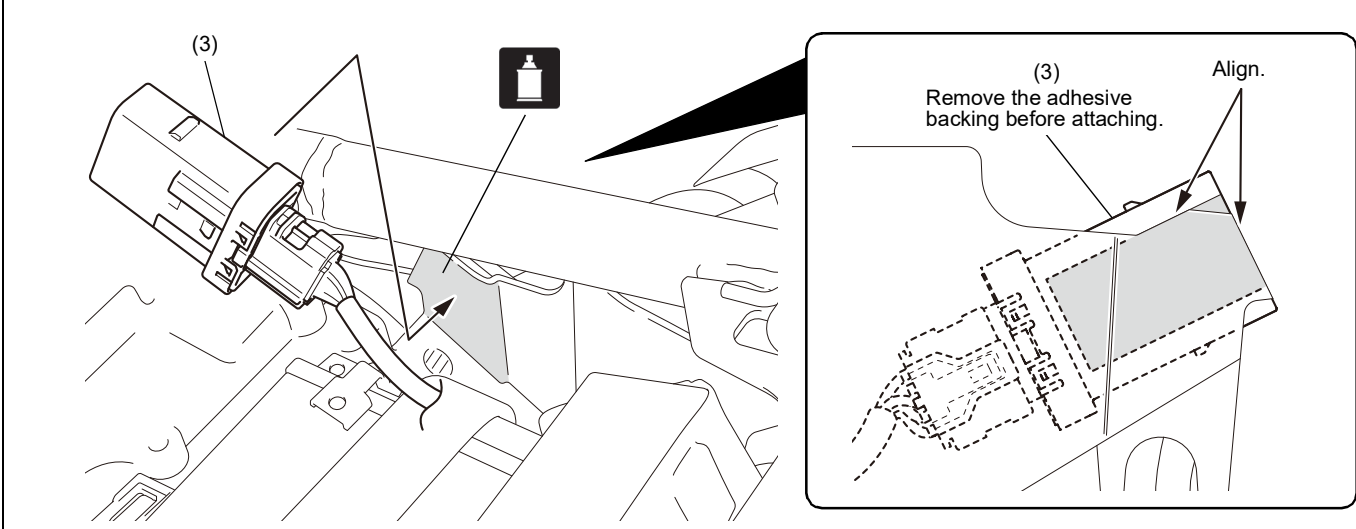
<Right side>



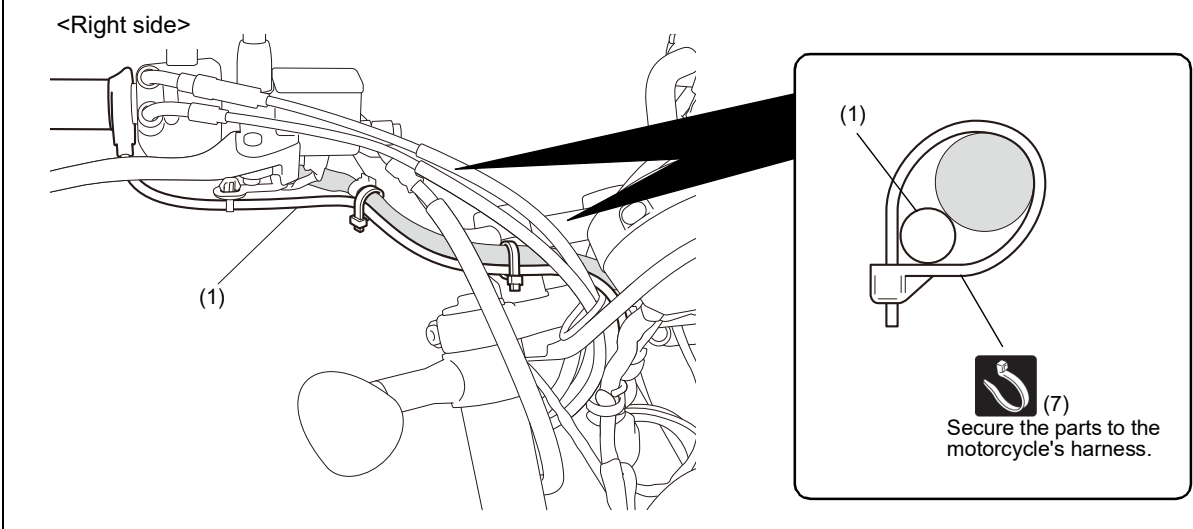
36. Connect the parts as shown.



37. Install the parts as shown.

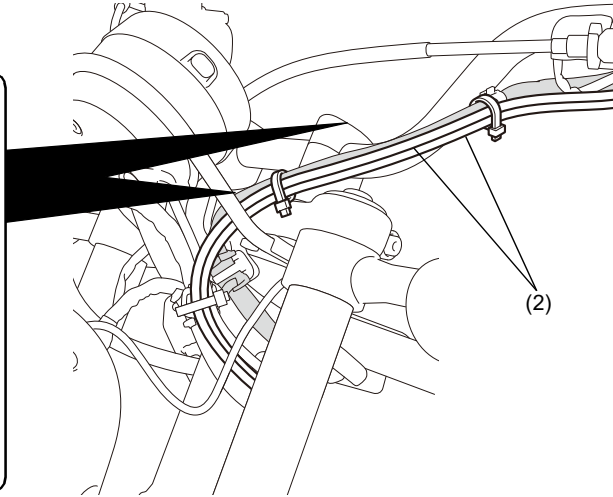
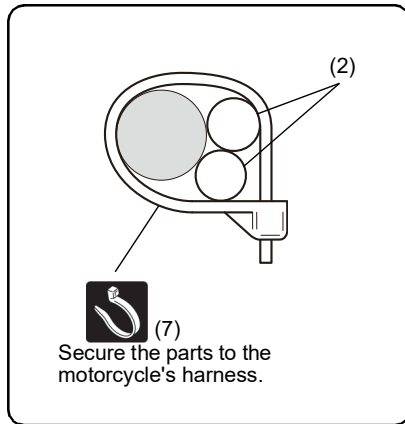


38. Secure the parts as shown.



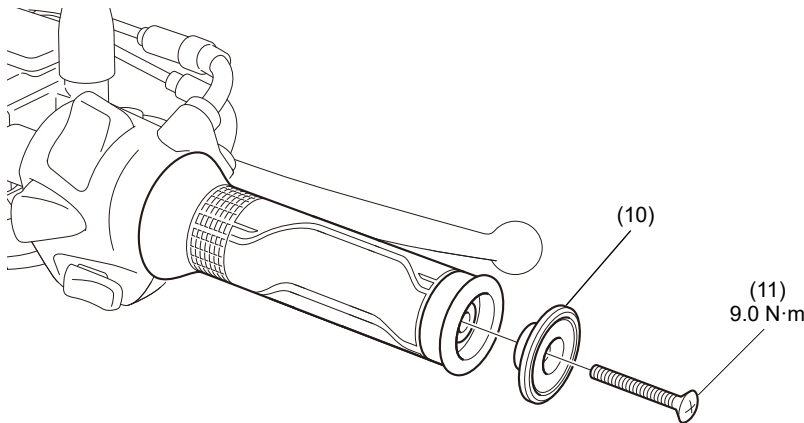
39. Secure the parts as shown.

<Left side>



40. Install the parts as shown.  
• Repeat on the left side.

<Right side>



41. Install the motorcycle's parts in the reverse order of removal. (M)

- Confirm that any wire harness and hose is not caught or too tight.

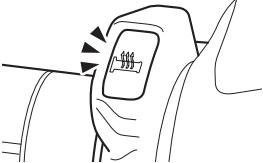
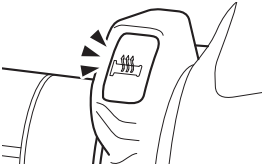
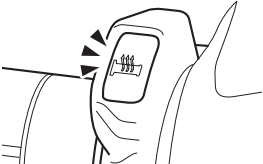
42. Move the handlebar right and left and check that the cables and harnesses are not pinched by the neighboring components and that they are not pulled taut.

43. Check the grip heater, headlight and the other lights for proper operation.

- Perform the operation check at least one hour after attaching the left grip heater. Do not set the heater level at more than 3.
- Make sure to turn off the heater switch after the operation check.

## DEALER TROUBLESHOOTING

- When the grip heater has abnormalities, the grip heater switch indicator show following displays. Follow each instruction to perform inspection.

Grip heater switch indicator	Check
<p>Blink once.</p> 	<p>1</p>
<p>Blink twice.</p> 	<p>2, 3, 4, 5</p>
<p>Blink 3 times.</p> 	<p>2, 3, 4, 5</p>
<p>Indicator does not light on.</p>	

- Battery inspection:  
Refer to the Service Manual and inspect the battery.
- Check whether wires and cables (terminals and connectors) are connected securely.
- Grip heater inspection:  
Check for resistance between the terminals.
  - Standard:
    - Right : 8.2 ohms +/- 10%
    - Left : 8.2 ohms +/- 10%
- Heater harness inspection:  
Check for continuity.
- If no abnormality is found after the above checks 2, 3, and 4, but the grip heater still does not operate properly, replace the grip heater with a new one.
  - It is hard to check the switch with ordinary inspection methods (for continuity, voltage, etc.) because it contains an integrated circuit.